

Air Gap Sensors Giving You Trouble?



Here's Your Solution:

carrlane.com/mysolution

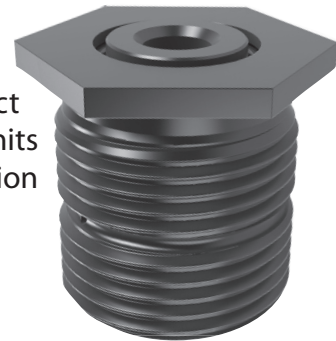
Take the guesswork out of loading your parts. Whether you run your operations with robot or human guidance, Carr Lane Manufacturing's Air Rest Buttons deliver feedback with every load.

Air Rest Buttons

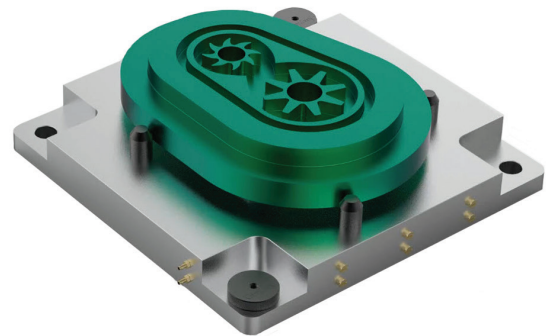
CarrLane[®]
M A N U F A C T U R I N G C O.

Air Rest Buttons

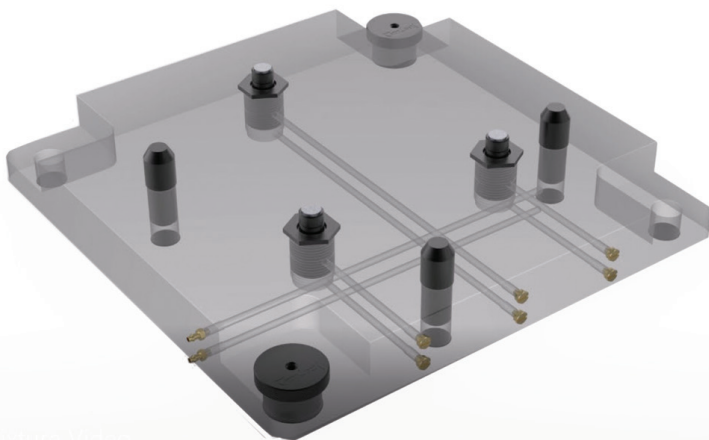
Air Rest Buttons allow using pneumatic position control to detect proper workpiece loading in a machining fixture. These modular units consist of a threaded body installed in a fixture, which holds a precision floating plunger. Made in USA. **Patent pending.**



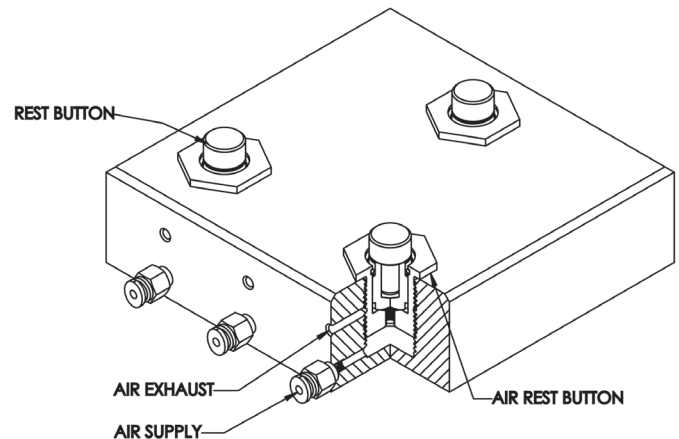
This plunger has a reamed hole, available in a choice of three diameters, that accepts any height of our standard press-fit-type Rest Buttons.



Proper placement of a workpiece on the Air Rest Button assembly causes the plunger to fully retract into the body. This seals off air flow, which increases the overall pressure of the system.



Example: three ARBs provide full 3-point support under a workpiece. Air passages to the ARB can be drilled in the fixture plate.



For complete technical and installation details visit carrlane.com/ARB.